

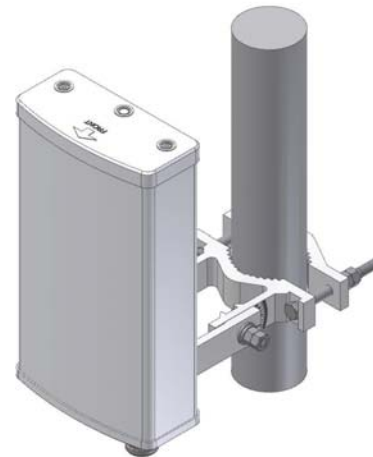
# PCS&IMT Single Polarization

Horizontal 65° 11dBi


PI-SP65-11-T0

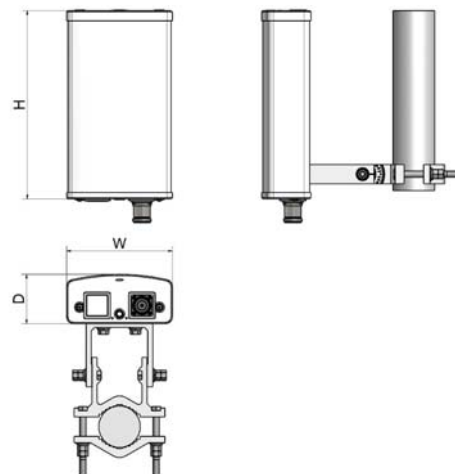
## i. Electrical Specification

Frequency Range	1750 ~ 2170 MHz	
Band Width	420 MHz	
Gain	≥ 11 dBi	
Polarization	Vertical	
Beam width	Horizontal	65° ± 5°
	Vertical	32° ± 5°
F-B ratio	Horizontal (@180 ± 30°)	≥ 25 dB
	Vertical (@180 ± 60°)	≥ 25 dB
VSWR	≤ 1.4 : 1	
Impedance	50 Ω	
1st Upper Side lobe level	≥ 11 dB	
Maximum input power	≥ 350 W	

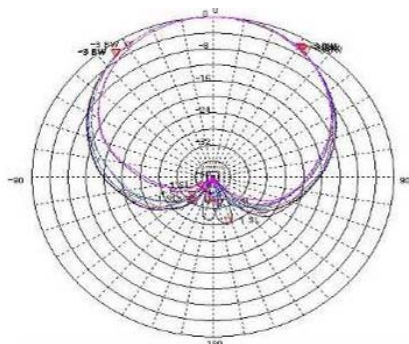


## ii. Mechanical Specification

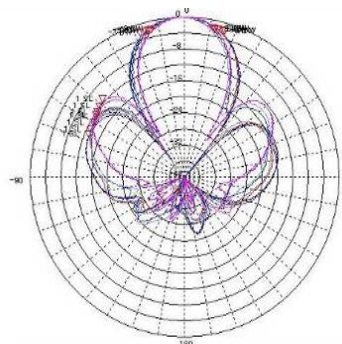
Radom Dimension ( H x W x D )	282 x 161 x 73 mm	
Weight ( Include bracket )	≤ 1.5 kg	
Connector Type	7/16 DIN	
Withstand Wind Pressure	60 m/sec	
Radom Material (color)	A.S.A. (Cool Gray 4C) 	
Mechanical Down Tilt	0° ~ 20°	
Temperature	-40 °C ~ 70 °C	
Packing Size (H x W x D)	-	
Packing Weight	-	



## iii. Radiation Pattern



Horizontal Pattern



Vertical Pattern